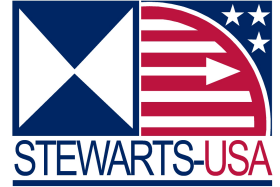


CAISSON Stainless Steel Gauges

4" Model-47S-CAISSON

6" Model-67S-CAISSON



Self-contained gauges with sealed Bourdon tube; require no pipe connection. Designed to indicate the ambient pressure above any specified normal, usually the air surrounding the gauge above atmospheric, as in caisson work.

Case

AISI 316 Stainless Steel
Bezel Stainless Steel (Bayonet type).

Socket + Element

AISI 316 Stainless Steel

Movement

Stainless Steel

Dial

White Aluminium (Black Printing)
Fine scale markings
Anti parallax mirror band

Pointer

Black Aluminium

Window

Sheet Glass

Standard Size

100, 150mm

Accuracy class

1% of Full scale

Mounting types and Case types

Supplied Rear Flange Panel Mount.

Scale Range

Range (FSW)	Range (FSW)
0-70	0-500
0-140	0-700
0-230	0-1100
0-250	0-1200
0-300	0-1400
0-350	0-1700
0-450	0-2300

Other ranges available on request.

Optional extras

Monel to Nace MR-01-75 wetted parts.
Laminated safety glass / Perspex window.
Calibration certificates.

Further options: on request



Model - 47S-Caisson

How to order by Part Number

- 1 **Model Number.**
- 2 Choose **Pressure Range.**

Model	Dial Range Code	Mounting Type	High Pressure Connection	100% Glycerin Filled Recommended
47S-CAISSON	0-250 Feet Head Seawater	N/A	N/A	N/A

Caisson Gauges

The Caisson Gauge is used inside the chamber and reads ambient chamber pressure. Accuracy is maintained for both increasing and decreasing pressures and always indicates true gauge pressure and/or a simulated depth in a chamber.

We manufacture a wide range of instruments to customer's special requirements
We shall be pleased to discuss and advise on your specifications.

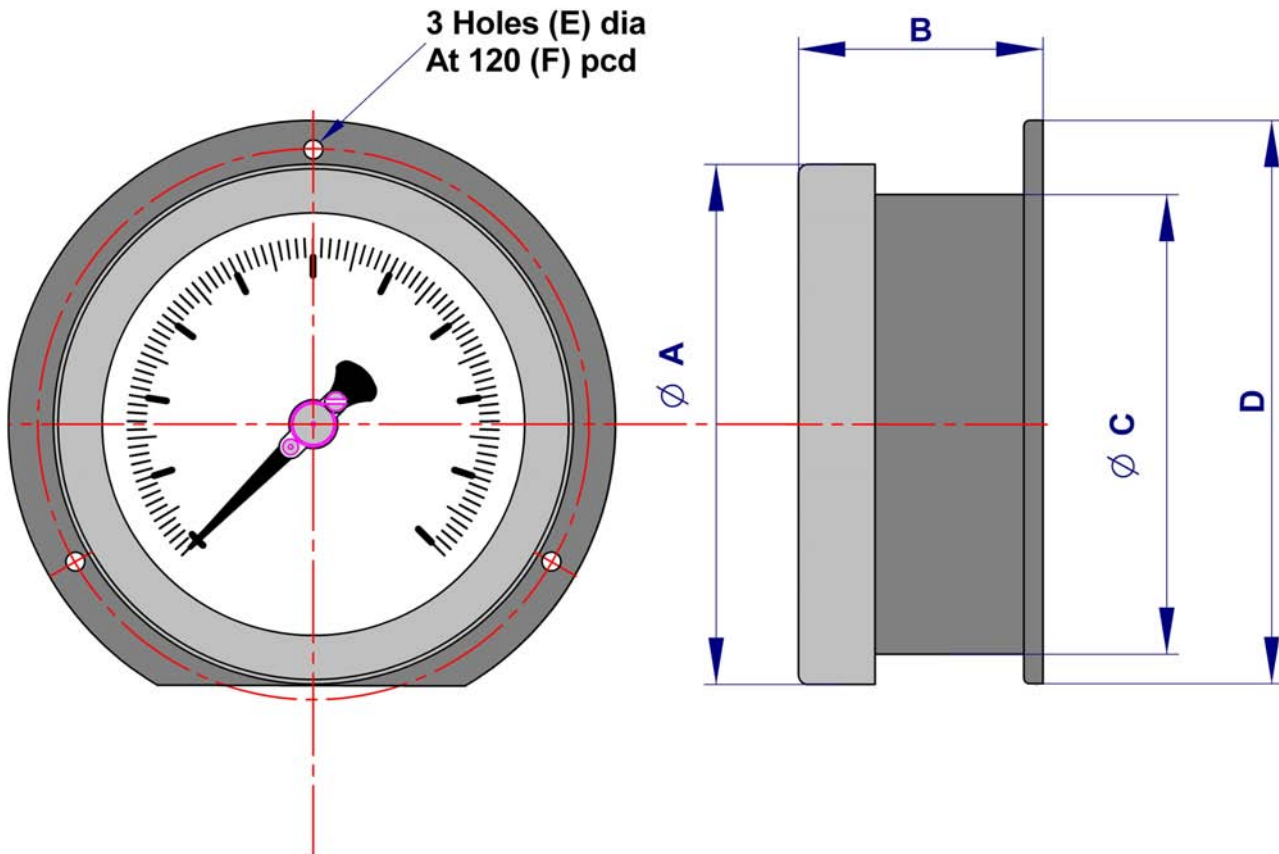
Specifications and dimensions given in this leaflet represent the state of engineering at the time of printing.
Engineering modifications may take place without prior notice.

CAISSON Stainless Steel Gauges

4" Model-47S-CAISSON

6" Model-67S-CAISSON

Rear Flange Panel Mount



	A	B	C	D	E	F
100mm	132	51	99	121	6	118
4 in	5.2	1.99	3.9	4.76	0.24	4.65
150mm	196	51	148	184	5.8	178
6 in	7.72	1.99	5.83	7.84	0.23	7.02

Warning : Before use please consult our recommendation regarding selection and installation.
Copies available on request.

STEWARTS - USA
 6786 Tipperary
 HOUSTON, TX 77061 USA
 Phone. 713-643-1022
 Fax. 713-643-2855
 Toll Free. 1-800-901-1316
 Web. stewartsusa.com