

Process Gauges Solid Front Safety Case

4.5" model **50S** or **50SV** (¼" NPT)

4.5" model **51S** or **51SV** (½" NPT)



DRY or VibraGauge® dampened movement VibraGauge® option eliminates need for liquid filling

Use **VibraGauge®** instead of liquid-filling for pulsation or vibration¹.

- * AISI 316 Stainless Steel Stem and Socket.
- * AISI 316 Stainless Bourdon Tube (C-Form 600 PSI and Below)
(Spiral 800 PSI and Above)
- * Threaded Fiberglass / Polycarbonate Bezel Ring.
- * Elastometer with Integral O-Ring Seal Compensation Diaphragm.
- * Molded Fiberglass / Phenolic Safety Case, Turret Style.
- * Polypropylene with Reinforced Fiberglass Blow-Out Back.
- * White Aluminum Dial, Black Figures.
- * Black Aluminum Pointer (Adjustable).
- * Threaded Inlet Port, restrictor screw ready.

ACCURACY

+/- ½ % of Full Scale (Grade 2A - ASME B40.1).

LENS

Laminated Safety Glass (Will not craze or discolor; UV resistant, Shatterproof)

MOUNTING TYPES

Bottom Connection only (High quality "Rolled" threads, helps prevent galling)

RANGE SELECTION (Inches of H2O ranges available, call factory)

Range Code	Range (psi)	Range Code	Range (psi)
V30	Vacuum 30" Hg - 0	200	0-200
R315	Receiver 3 - 15	300	0-300
C15	30" Hg - 0 -15	400	0-400
C30	30" Hg - 0 - 30	600	0-600
C60	30" Hg - 0 - 60	800	0-800
C100	30" Hg - 0 - 100	1K	0-1,000
C160	30" Hg - 0 - 160	1500	0-1,500
C200	30" Hg - 0 - 200	2K	0-2,000
C300	30" Hg - 0 - 300	3K	0-3,000
15	0-15	5K	0-5,000
30	0-30	6K	0-6,000
60	0-60	10K	0-10,000
100	0-100	15K	0-15,000
160	0-160	20K	0-20,000 HIGH PRESSURE CONNECTION REQUIRED



Model: 51S -1K
To order other models
by part number, see below.

DUAL-SCALE CODES: (B = psi/Bar), (K = psi/kPa), (KGCm2 = psi/KgCm2)

HIGH PRESSURE CONNECTION OPTION (required on 20K)

CODES: ¼" HPF (Female) = **1/4HPF** or 9/16" MPM (Male) = **9/16MPM**

HOW TO ORDER BY PART NUMBER:

- 1- Model # (**50S**, **51S**=Dry or **50SV**, **51SV**=VibraGauge® Option)
 - 2- Choose Pressure Range (**code**). (Single Scale Metric Available)
 - 3- Option Code(s): (Dual-Scale ?) (Monel ? = **M**) (Glow Gauge ? = **G**)
- Note:** If VibraGauge® Option, **S** becomes **SV** (example: **51S** is now **51SV**)

²Safety Zone Glow Gauge Option: CODE = G

MONEL WETTED PARTS OPTION

CODE: Monel Wetted Parts = **M**

FOR EXAMPLE: 51S-1K (see table below)

4.5 inch Phenolic Solid Front, Blowout Back Safety Case
½ inch NPT bottom connection.
0-1,000 psi range

1- Model	2- Range Code	3- Dual-Scale Code or Option Code(s)	Filling Type
51S	1K	None	N/A

¹**VibraGauge®** option dampens the effects of pulsation and vibration, without liquid !!

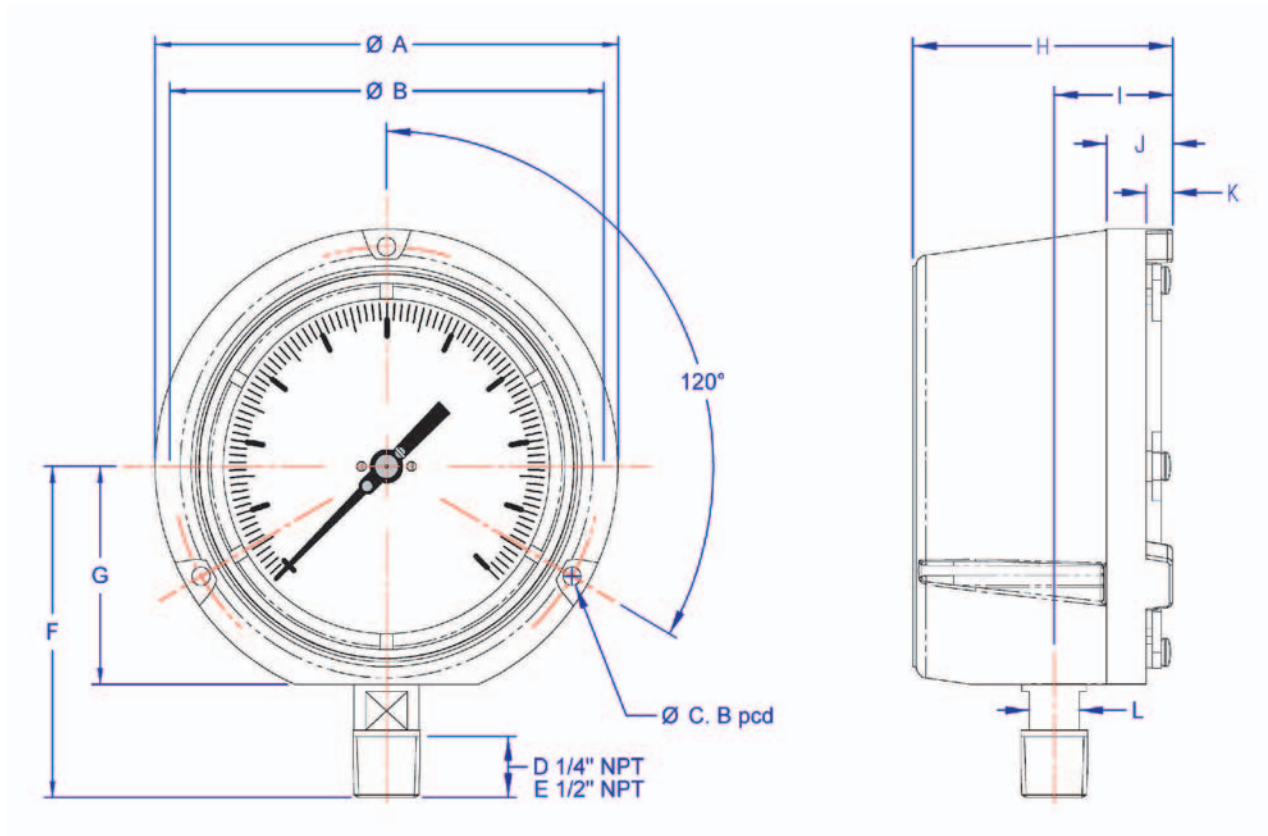
It is easier to read because there are no fill lines. Twice the life of dry gauges. No liquid = No leaks!

²**Safety Zone Glow Gauge Option:** Luminescent Dial, Reflective Pointer, Green Reflective Operating Zone Tabs.

· Easily see if operating conditions have become abnormal. Great for low-light conditions.

Process Gauges Solid Front Safety Case

4.5" model - **50S** (dry) or **50SV** (VibraGauge®) (¼" NPT)
 4.5" model - **51S** (dry) or **51SV** (VibraGauge®) (½" NPT)



Dims Dia	A	B	C	D	E	F	G	H	I	J	K	L
130 mm	148	137	6.5	16	21	103.25	68	83	38	21	8.5	16
4.1/2 inch	5.83	5.4	0.25	0.63	0.83	4.06	2.68	3.27	1.5	0.83	0.33	0.63

Before use, please consult ASME B40.1 regarding selection and installation of pressure gauges
 Copies available from: The American Society of Mechanical Engineers
 Three Park Avenue, New York, NY 10016-5990

STEWARTS - USA
 6786 Tipperary
 HOUSTON, TX 77061 USA
 Phone. 713-643-1022
 Fax. 713-643-2855
 Toll Free. 1-800-901-1316
 Web. stewartsusa.com