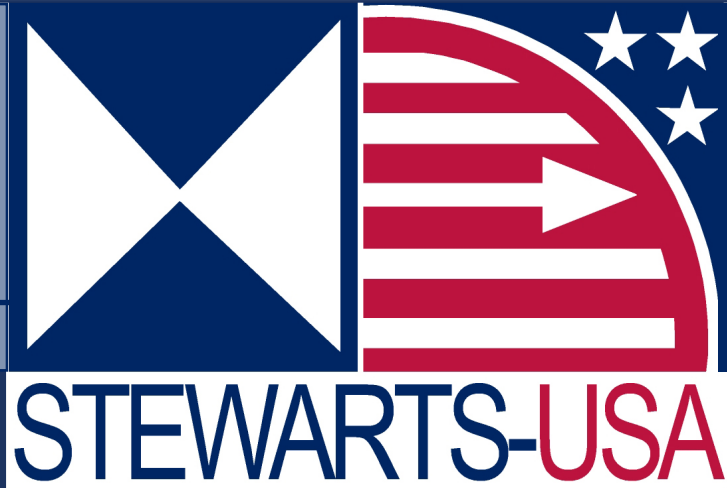


# 49S-UDSUB Sub Sea Gauge

*"ULTRA DEEP"*

**20,000 feet / 6,000 meters**

- **SOLID BARSTOCK**
- **DURABLE**
- **SAFE**
- **RELIABLE**
- **ACCURATE**
- **RUGGED**



## Application

For operation at great depths of sea water. (Non-Compensated)

## Specification

### Case

Size:  $\varnothing$ 140mm -screwed bezel

AISI-316/1.4401

Pressure tight for depths down to 20,000 feet

### Connection

1/2" BSP or 1/2" NPT, Stainless steel AISI-316L

### Measuring element

Bourdon tube, Stainless steel AISI-316L

### Movement

AISI-304/1.4301

### Range

0-13- 1300 bar (EN)

0-200- 20,000 psi (ASME)

for higher ranges see page 55 max. 1600 bar

### Accuracy

$\pm 1.0\%$  F.S. / class 1

### Dial

Aluminium, white figures on black

### Pointer

Aluminium, white

### Window

Armoured glass (thickness: 45mm / 1.77")

### Fillable

Yes: Glycerine

( $t_{\text{ambient}} = 0^{\circ}\text{C} \dots +60^{\circ}\text{C}$ )

( $t_{\text{ambient}} = 32^{\circ}\text{F} \dots +140^{\circ}\text{F}$ )

Silicone Oil

( $t_{\text{ambient}} = -40^{\circ}\text{C} \dots +60^{\circ}\text{C}$ )

( $t_{\text{ambient}} = -40^{\circ}\text{F} \dots +140^{\circ}\text{F}$ )



### Safety Features

The armoured glass with a thickness of 1.77" provides a safety design for depths to 20,000 Ft.

### Optional

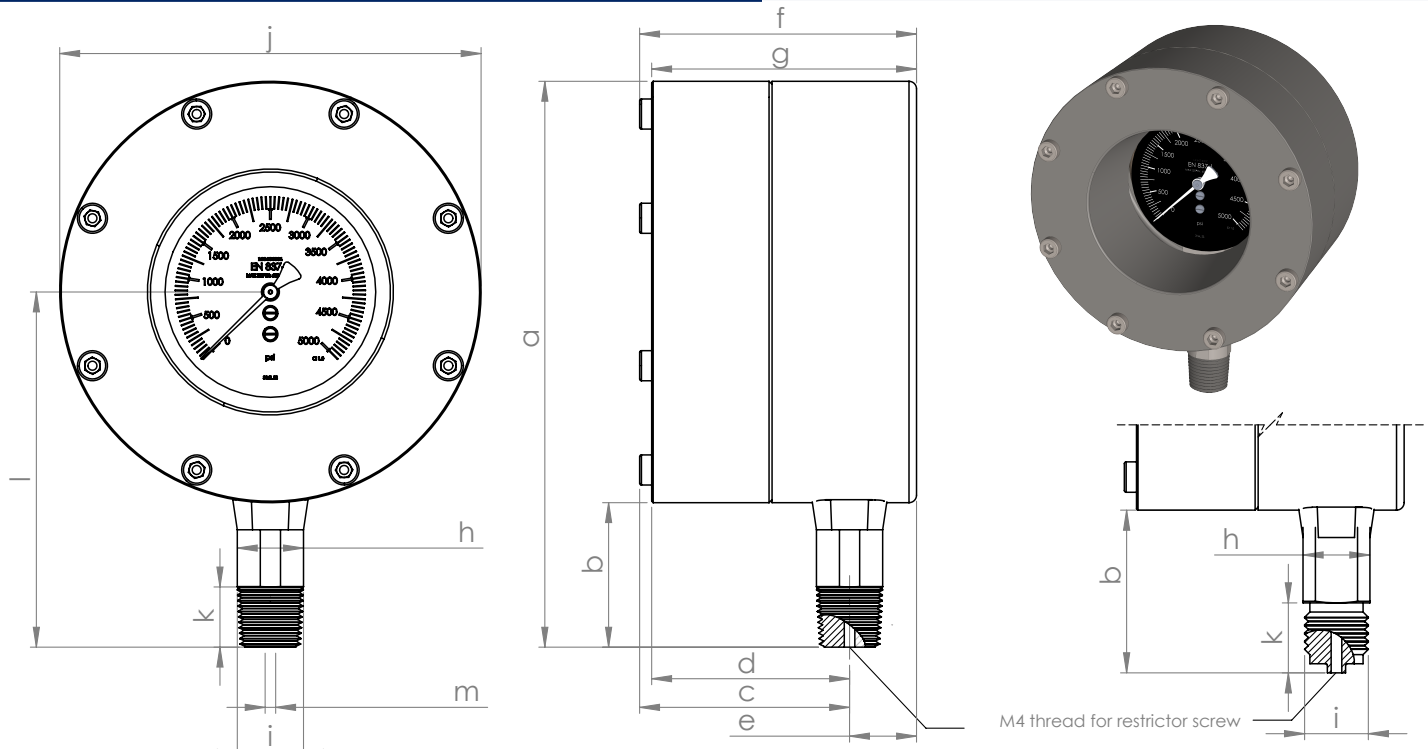
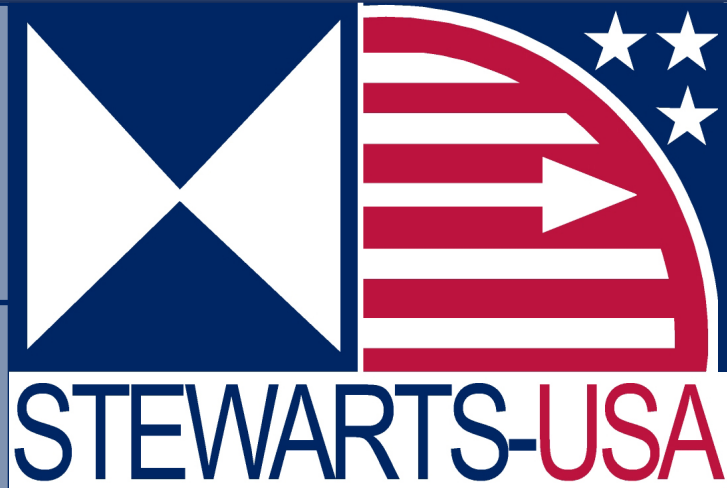
- Other connections on request
- Special scales, combination pressures
- Other than vertical installation
- Top or side connection

# "Renowned for Safety, Quality, and Reliability"

# 49S-UDSUB Sub Sea Gauge

*"ULTRA DEEP"*

**20,000 feet / 6,000 meters**



| Dim.        | Type | a    | b    | c     | d     | e     | f    | g    | h      | i    | j   | k    | l   | m    | Weight  |
|-------------|------|------|------|-------|-------|-------|------|------|--------|------|-----|------|-----|------|---------|
| Metric [mm] | BSP  | 192  | 53.5 | 69.75 | 65.75 | 22.25 | 92   | 88   | HEX 22 | 1/2" | 140 | 24.5 | 122 | 3.5  | 7.75 kg |
| US (inch)   |      | 7.56 | 2.21 | 2.75  | 2.59  | .88   | 3.62 | 3.46 |        | 5.51 | .96 | 4.80 | .14 | 17.1 |         |
| Metric [mm] | NPT  | 188  | 48   | 69.75 | 65.75 | 22.25 | 92   | 88   |        | 1/2" | 140 | 20   | 118 | 3.5  | 7.75 kg |
| Us (inch)   |      | 7.40 | 1.89 | 2.75  | 2.59  | .88   | 3.62 | 3.46 |        | 5.51 | .79 | 4.65 | .14 | 17.1 |         |

Note: 3D versions are available upon request.

***"Renowned for Safety,  
Quality, and Reliability"***

Stewarts-USA  
6786 Tipperary  
Houston, Texas 77061  
United States of America  
Phone: 713.643.1022  
Fax: 713.643.2855  
Toll Free: 800.901.1316  
Email: [info@stewarts.com](mailto:info@stewarts.com)  
[www.STEWARTSUSA.com](http://www.STEWARTSUSA.com)