

Process Gauges - Fillable Solid Front Safety Case



4.5" (114mm) Dial Size Model **54SD** (1/2" NPT)

**Dampened Movement: Silicone Jelly-Filled Movement, Dry
or Glycerin-Filled** (Optional)

- * 316 SS Bourdon Tube, Stem, Socket
- * 304 SS Dampened Movement
- * Threaded Fiberglass / Polycarbonate Bezel Ring
- * Molded Fiberglass / Phenolic Solid Front Safety-Pattern Case
- * Polypropylene with Reinforced Fiberglass, Blow-Out Back/Disc
- * White Aluminum Dial, Black Figures, Single Scale, Pointer Stop
- * Black Aluminum Pointer (Micrometer Adjustable)
- * Threaded Inlet Port, Restrictor Screw included

ACCURACY: (Dry)
± 1.0 % of Full Scale

LENS
Safety Glass Standard

MOUNTING TYPE
Bottom

RANGE SELECTION

Range Code	Range (psi)	Range Code	Range (psi)
V30	Vacuum 30" Hg - 0	200	0-200
R315	Receiver 3 - 15	300	0-300
C15	30" Hg - 0 -15	400	0-400
C30	30" Hg - 0 - 30	600	0-600
C60	30" Hg - 0 - 60	800	0-800
C100	30" Hg - 0 - 100	1K	0-1,000
C160	30" Hg - 0 - 160	1500	0-1,500
C200	30" Hg - 0 - 200	2K	0-2,000
C300	30" Hg - 0 - 300	3K	0-3,000
15	0-15	5K	0-5,000
30	0-30	6K	0-6,000
60	0-60	10K	0-10,000
100	0-100	15K	0-15,000
160	0-160		



Part Number: 54SD-100

DUAL-SCALE DIAL CODES (Non-Stocked): (-B = psi/Bar), (-K = psi/kPa), (-KGCM2 = psi/KgCm2)

FILLING TYPE CODE (Optional): (-GF = Glycerin-Filled)

HOW TO ORDER BY PART NUMBER:

- 1- Model # 54SD
- 2- Choose Pressure Range (**Code from table above**).
- 3- Option Code(s): (Dual-Scale ?, Glycerin-Filled?)

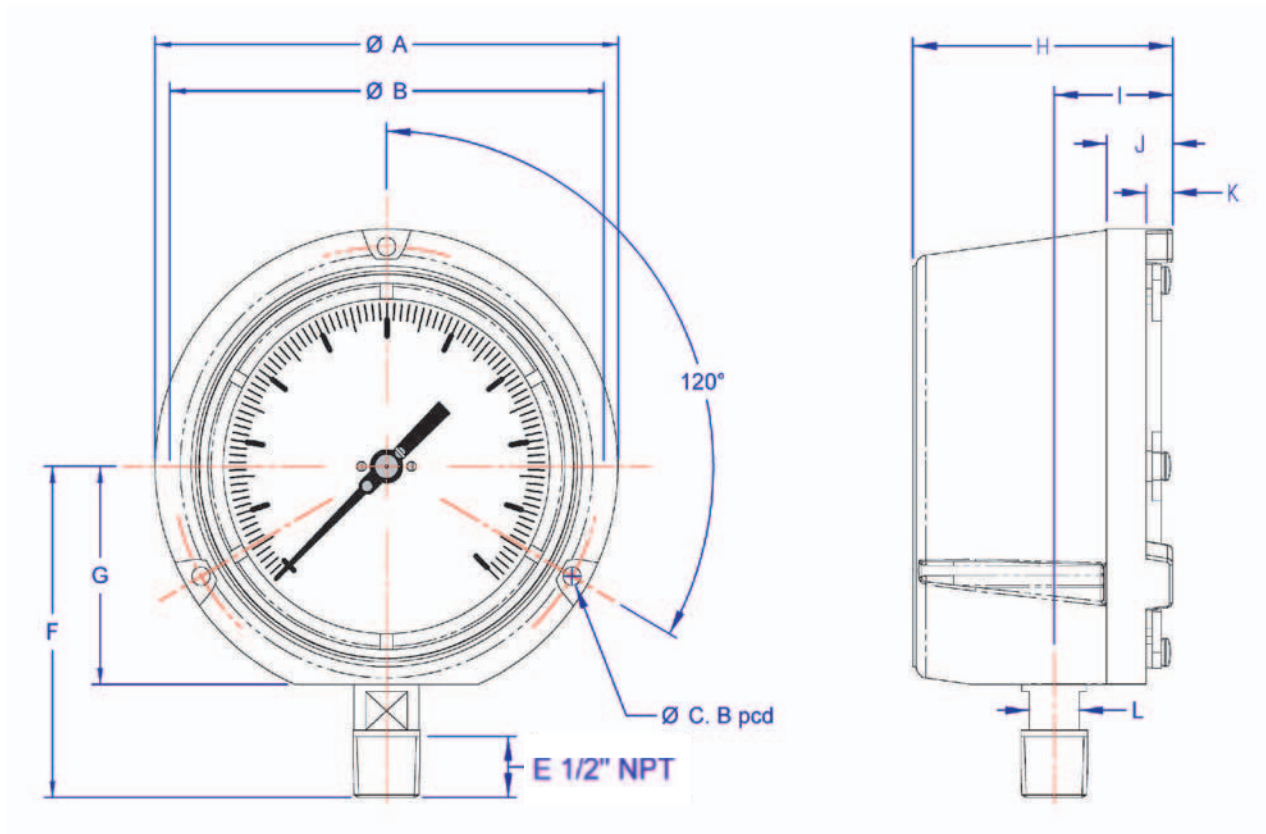
FOR EXAMPLE: 54SD-100 (see table below)

4.5 inch Phenolic Solid Front
1/2 inch NPT bottom connection.
0-100 psi range

1- Model	2- Range Code	3- Dual-Scale Code or Option Code(s)	Filling Type
54SD	100	None	N/A

Process Gauges - Fillable Solid Front Safety Case

4.5" (114mm) Dial Size Model **54SD** (½" NPT)



Dims	A	B	C	.	E	F	G	H	I	J	K	L
Dia	151	130	7.4		16	103.5	66	83	38	21	13.4	19
130 mm												
4.5 inch	5.94	5.11	0.29		0.63	4.08	2.58	3.24	1.5	1.0	0.528	0.75

Before use, please consult ASME B40.1 regarding selection and installation of pressure gauges
Copies available from: The American Society of Mechanical Engineers
Three Park Avenue, New York, NY 10016-5990

STEWARTS - USA
6786 Tipperary
HOUSTON, TX 77061 USA
Phone. 713-643-1022
Fax. 713-643-2855
Toll Free. 1-800-901-1316
Web. stewartsusa.com