

# Process Gauges Solid Front Safety Case

4.5" model **50S** or **50SV** (¼" NPT)

4.5" model **51S** or **51SV** (½" NPT)



## DRY or VibraGauge® dampened movement VibraGauge® option eliminates need for liquid filling

Use **VibraGauge®** instead of liquid-filling for pulsation or vibration<sup>1</sup>.

- \* AISI 316 Stainless Steel Stem and Socket.
- \* AISI 316 Stainless Bourdon Tube (C-Form 600 PSI and Below)  
(Spiral 800 PSI and Above)\*

- Threaded Fiberglass / Polycarbonate Bezel Ring.
- \* Elastomer with Integral O-Ring Seal Compensation Diaphragm.
- \* Molded Fiberglass / Phenolic Safety Case, Turret Style.
- \* Polypropylene with Reinforced Fiberglass Blow-Out Back.
- \* White Aluminum Dial, Black Figures.
- \* Black Aluminum Pointer (Adjustable).
- \* Threaded Inlet Port, restrictor screw ready.

### ACCURACY

- ± 0.5 % of Full Scale (Up to 10,000 psi) Vibragauge = 1.0%
- ± 1.0 % of Full Scale (15,000 psi)
- ± 1.5 % of Full Scale (20,000 psi and Inches of WC ranges)

### LENS

Laminated Safety Glass (Will not craze or discolor; UV resistant, Shatterproof)

### MOUNTING TYPES

Bottom Connection only

### RANGE SELECTION (Inches of H2O ranges available, call factory)

**Range Code Range (psi) Range Code Range (psi)**

V30	Vacuum 30" Hg - 0	200	0-200
R315	Receiver 3 - 15	300	0-300
C15	30" Hg - 0 -15	400	0-400
C30	30" Hg - 0 - 30	600	0-600
C60	30" Hg - 0 - 60	800	0-800
C100	30" Hg - 0 - 100	1K	0-1,000
C160	30" Hg - 0 - 160	1500	0-1,500
C200	30" Hg - 0 - 200	2K	0-2,000
C300	30" Hg - 0 - 300	3K	0-3,000
15	0-15	5K	0-5,000
30	0-30	6K	0-6,000
60	0-60	10K	0-10,000
100	0-100	15K	0-15,000
160	0-160	20K	0-20,000 <b>HIGH PRESSURE CONNECTION REQUIRED</b>

**DUAL-SCALE CODES:** (B = psi/Bar), (K = psi/kPa), (KGCm2 = psi/KgCm2)

### HIGH PRESSURE CONNECTION OPTION (required on 20K)

**CODES:** 1/4" HPF (Female) = **1/4HPF** or 9/16" MPM (Male) = **9/16MPM**

### HOW TO ORDER BY PART NUMBER:

- 1- Model # (**50S**, **51S**=Dry or **50SV**, **51SV**=VibraGauge® Option)
  - 2- Choose Pressure Range (**code**). (Single Scale Metric Available)
  - 3- Option Code(s): (Dual-Scale ?) (Monel ? = **M**) (Glow Gauge ? = **G**)
- Note:** If VibraGauge® Option, **S** becomes **SV** (example: **51S** is now **51SV**)

1- Model	2- Range Code	3- Dual-Scale Code or Option Code(s)	Filling Type
51S	1K	None	N/A



**Model: 51S -1K**  
To order other models by part number, see below.

**<sup>2</sup>Safety Zone Glow Gauge Option: CODE = G**

### MONEL WETTED PARTS OPTION

**CODE:** Monel Wetted Parts = **M**

### FOR EXAMPLE: 51S-1K (see table below)

4.5 inch Phenolic Solid Front, Blowout Back Safety Case  
½ inch NPT bottom connection.  
0-1,000 psi range

<sup>1</sup>**VibraGauge®** option dampens the effects of pulsation and vibration, without liquid !!

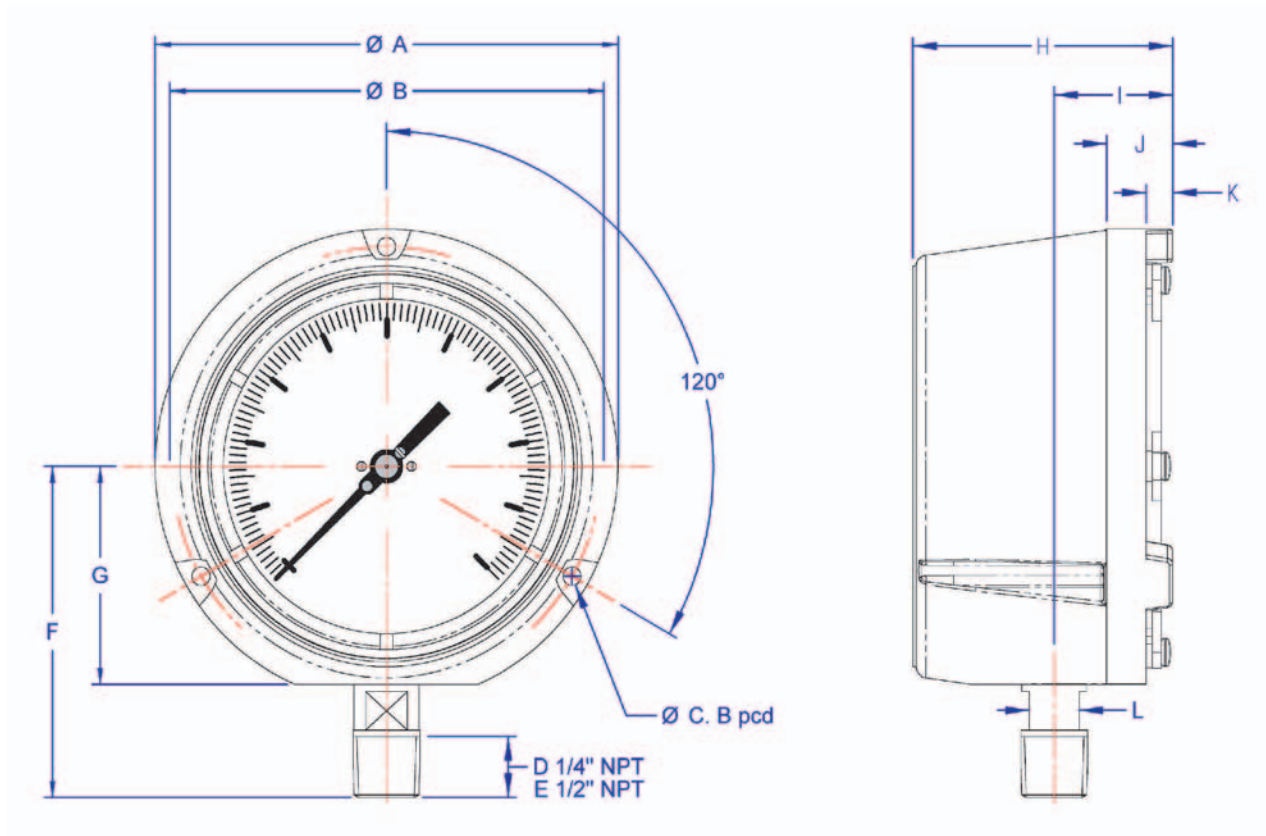
It is easier to read because there are no fill lines. Twice the life of dry gauges. No liquid = No leaks!

<sup>2</sup>**Safety Zone Glow Gauge Option:** Luminescent Dial, Reflective Pointer, Green Reflective Operating Zone Tabs.

· Easily see if operating conditions have become abnormal. Great for low-light conditions.

# Process Gauges Solid Front Safety Case

4.5" model - **50S** (dry) or **50SV** (VibraGauge®) (¼" NPT)  
 4.5" model - **51S** (dry) or **51SV** (VibraGauge®) (½" NPT)



Dims	A	B	C	D	E	F	G	H	I	J	K	L
Dia	148	137	6.5	16	21	103.25	68	83	38	21	8.5	16
mm												
4.1/2 inch	5.83	5.4	0.25	0.63	0.83	4.06	2.68	3.27	1.5	0.83	0.33	0.63

Before use, please consult ASME B40.1 regarding selection and installation of pressure gauges  
 Copies available from: The American Society of Mechanical Engineers  
 Three Park Avenue, New York, NY 10016-5990

**STEWARTS - USA**  
 6786 Tipperary  
 HOUSTON, TX 77061 USA  
 Phone. 713-643-1022  
 Fax. 713-643-2855  
 Toll Free. 1-800-901-1316  
 Web. [stewartsusa.com](http://stewartsusa.com)